

PARTS LIST FOR
4004 SERIES
PORTABLE
GASOLINE DRIVEN/BELT DRIVE
COLD WATER PRESSURE WASHER

| | |
|----------------------|---|
| Engine Oil Grade: | Above 40°F=SAE 30 Below 40°F=SAE10W-30 |
| Engine Oil Capacity: | Vanguard 56 oz. Honda 37 oz. |
| Pump Oil Grade: | Pump Oil #AW-4085-0016 |
| Pump Oil Capacity: | 40.6 oz. |
| Nozzle Size: | Vanguard 4.0 Honda 3.5 |

This Parts Listing has been compiled for your benefit. You can be assured your new Cold Water Pressure Washer was constructed and designed with quality and performance in mind using over 25 years experience in the pressure washer business. Each component has been rigorously tested to insure the highest level of acceptance.

The contents of this Parts Listing are based on the latest product information available at the time of publication. The manufacturer reserves the right to make changes in price, color, materials, equipment, specifications or models at any time without notice.

WARNING

THIS IS A PROFESSIONAL HIGH PRESSURE, COLD WATER PRESSURE WASHER. CAUTION SHOULD BE OBSERVED WHEN USING OR REPAIRING THIS UNIT! READ AND FOLLOW THE SAFETY WARNINGS LISTED BELOW BEFORE ATTEMPTING ANY REPAIRS ON THIS PRESSURE WASHER!

SAFETY WARNINGS

1. NEVER alter or modify the equipment. Be sure any accessory items and system components being used will withstand the pressure developed. Use only genuine manufactured parts for repair of your pressure washer. Failure to do so can cause hazardous operating conditions and will VOID warranty.
2. NEVER make adjustments on machinery while the unit is connected to the engine without first removing the ignition cables from the spark plugs. Turning over the machinery by hand during adjustment or cleaning might start the machinery, causing serious injury to the operator.
3. Know how to stop and bleed pressures quickly. Be thoroughly familiar with controls.
4. Before servicing the unit, turn unit off, relieve the water pressure and allow the unit to cool down. Do not make repairs while the unit is running. Service in a clean, dry, flat area.
5. After testing the machine, DO NOT leave the pressurized unit unattended. Shut off the unit and release trapped pressure before leaving.

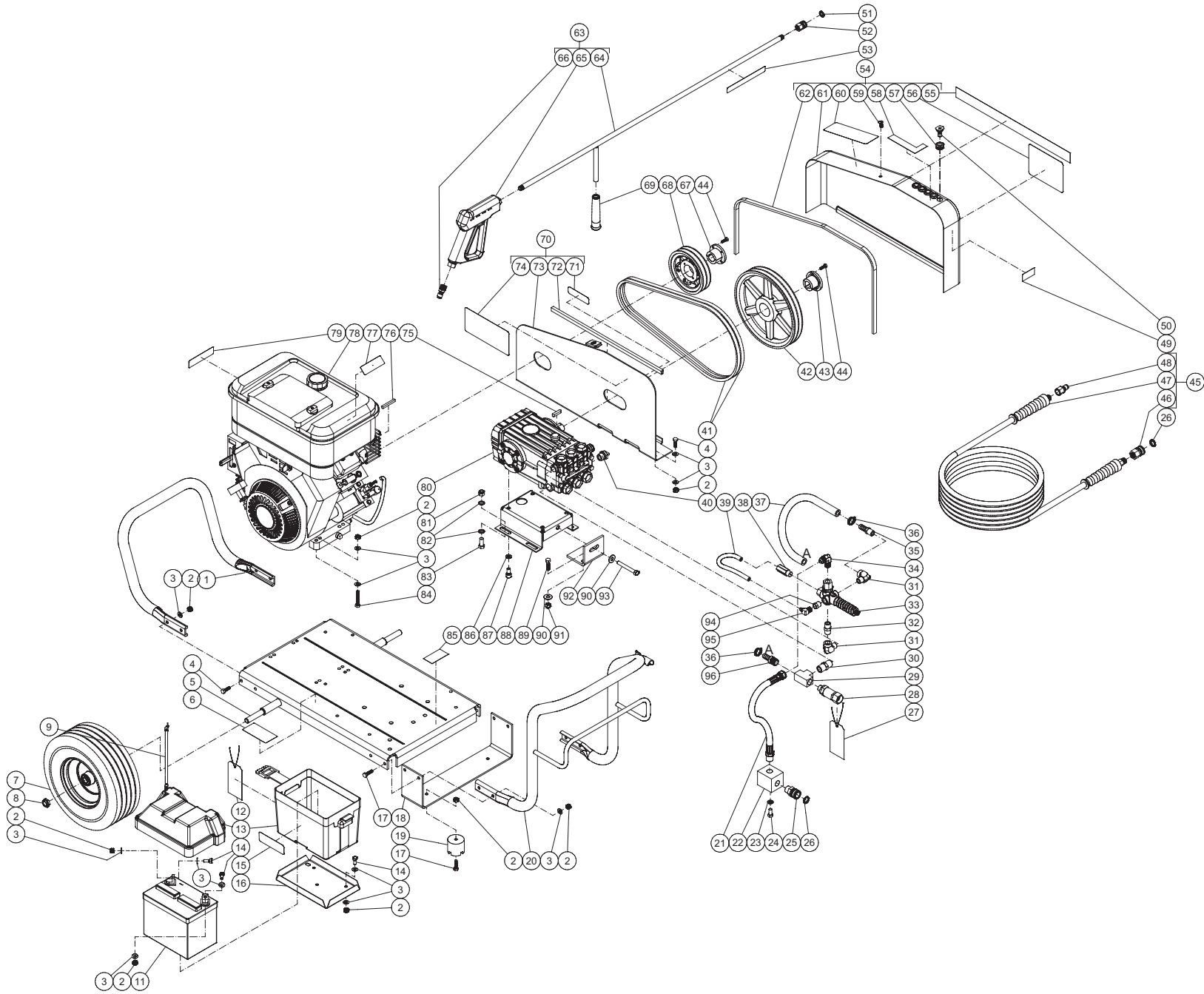
Table of Contents

| | |
|--|-----------|
| SPECIFICATIONS..... | 3 |
| FRAME ASSEMBLY FOR 4004 (VANGUARD)..... | 4 |
| FRAME ASSEMBLY FOR 4004 (HONDA) | 6 |
| PUMP ASSEMBLY (3-0075) | 8 |
| UNLOADER ASSEMBLY (8-0634) | 10 |

SPECIFICATIONS

| | | |
|---------------------------------|--|---|
| Operating Pressure (PSI/Bar): | 4000/275.8 | |
| High Pressure Nozzle: | 4.0 | 3.5 |
| Water Volume (GPM/lpm): | 4.0/15.1 | 3.5/13.2 |
| Engine: | Vanguard | Honda |
| Model | 3054 | GX-390 |
| Engine Type | Four Stroke, Overhead Valve, Single Cylinder | |
| Oil Type | Above 40°F=SAE 30/Below 40°F=SAE10W-30 | |
| Oil Capacity (oz./liter) | 56/1.7 | 37.2/1.1 |
| Low Oil Protection | Oil Guard™ | Oil Alert™ |
| Fuel Type | Unleaded Gasoline 86 Octane Minimum | |
| Fuel Capacity (gal./liter) | 2.25/8.5 | 1.61/6.1 |
| Starting | Recoil Rope | |
| Maximum No Load RPM | 3600 (+/- 100) | |
| Pump: | Direct Driven, Oil Bath, Triplex Piston | |
| Oil Type | Pump Oil #AW-4085-0016 | |
| Oil Capacity (oz./liters) | 40.6/1.2 | |
| Plungers | Ceramic Coated | |
| Manifold | Forged Brass | |
| Valves | Stainless Steel | |
| Unloader | Preset | |
| Heat Dump Valve | Relieves heated water during unloader bypass stage | |
| Detergent Injector | Adjustable low pressure down stream from pump | |
| Unit Net Weight (lbs/Kg) | 249/113 | 215.5/97.5 |
| Unit Shipping Weight (lbs/Kg) | 327/148 | 291/132 |
| Unit Net Dimension (in/cm) | 46Lx28Wx30H/ 117Lx71Wx76H | 46L X 28W X 30H/ 117L X 71W X 76H |
| Unit Shipping Dimension (in/cm) | 49Lx30.5Wx35.5H/ 124Lx77.5Wx90H | 48.5L X 30.5W X 35.5H/ 123.6L X 77.5W X 90H |

FRAME ASSEMBLY FOR 4004 (VANGUARD)



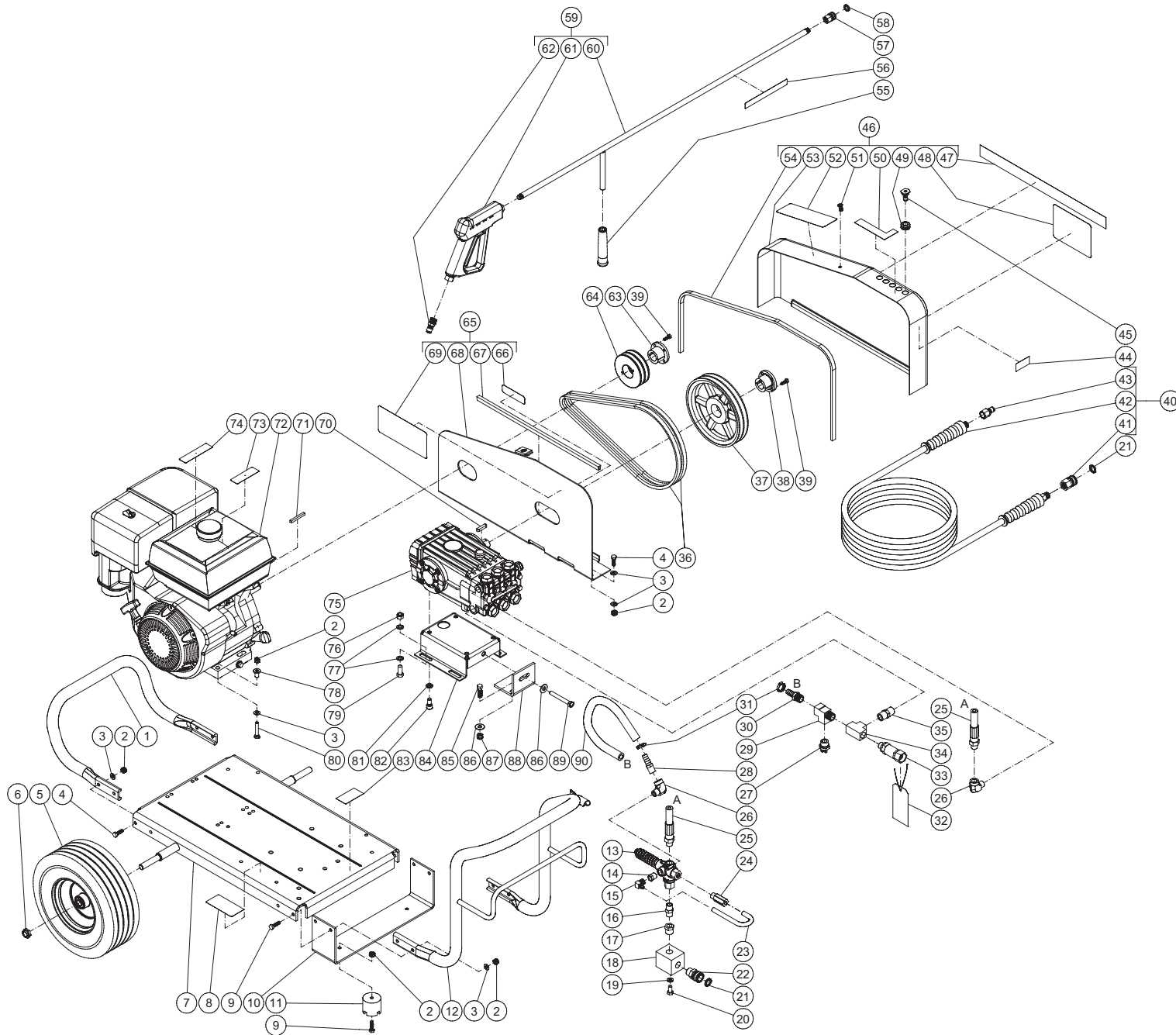
DC-4004-W5V6G 063017 JJR

FRAME ASSEMBLY

| ITEM | DESCRIPTION | PART # | QTY | ITEM | DESCRIPTION | PART # | QTY |
|------|--------------------------------------|------------|-----|------|--|------------|-----|
| 1 | REAR TUBING HANDLE 1 1/4" 14GA | 7-0176 | 1 | 50 | NOZZLE | 18-0399 | 1 |
| 2 | LOCKNUT | 30-0157 | 22 | 50 | NOZZLE | 18-0400 | 1 |
| 3 | WASHER | 28-0003 | 32 | 50 | NOZZLE | 18-0401 | 1 |
| 4 | BOLT | 27-0067 | 8 | 51 | O-RING | 25-0122 | 1 |
| 5 | BASEPLATE | 5-0078A01 | 1 | 52 | QUICK CONNECT | 17-0001 | 1 |
| 6 | DECAL - SILVER STICKER | N/A | 1 | 53 | DECAL - RISK OF INJECTION (SEE 71-1039) | N/A | 1 |
| 7 | WHEEL | 14-0127 | 2 | 54 | BELTGUARD COVER ASSY-MEDIUM (INC 55-62) | 851-0218 | 1 |
| 8 | LOCKNUT | 30-0117 | 2 | 55 | DECAL - STRIPE | N/A | 1 |
| 9 | CABLE | 32-9111 | 1 | 56 | DECAL - LOGO | N/A | 1 |
| 10 | CABLE | 32-9112 | 1 | 57 | GROMMET | 33-0001 | 5 |
| 11 | BATTERY | 32-0058 | 1 | 58 | DECAL - NOZZLE | N/A | 1 |
| 12 | TAG | N/A | 1 | 59 | FASTENER | 33-0197 | 1 |
| 13 | BATTERY BOX | 33-0092 | 1 | 60 | DECAL - OPERATION (SEE 71-1039) | N/A | 1 |
| 14 | BOLT | 27-0066 | 4 | 61 | BELTGUARD COVER | N/A | 1 |
| 15 | DECAL - RISK OF INJURY (SEE 71-1039) | N/A | 1 | 62 | EDGING *(FOUR FEET REQUIRED) | 33-0020 | 1 |
| 16 | BATTERY RETAINER | 20-0264A01 | 1 | 63 | GUN, BLACK WAND GRIP W/QC (INC 64-66) | 851-0371 | 1 |
| 17 | BOLT | 27-0068 | 6 | 64 | WAND (INC GRIP & QC) | 16-0439 | 1 |
| 18 | UNDERBRACKET | 13-0137A01 | 1 | 65 | GUN | 16-0001 | 1 |
| 19 | ISOLATOR | 14-0008 | 2 | 66 | QUICK CONNECT | 17-0005 | 1 |
| 20 | HANDLE | 7-0174A01 | 1 | 67 | BUSHING | 9-0005 | 1 |
| 21 | HOSE | 15-0141 | 1 | 68 | SHEAVE | 10-0064 | 1 |
| 22 | MANIFOLD BLOCK | 51-0012 | 1 | 69 | GRIP | 7-0002 | 1 |
| 23 | LOCKWASHER | 29-0008 | 2 | 70 | BELTGUARD BACK ASSEMBLY-MEDIUM (INC 71-74) | 851-0215 | 1 |
| 24 | BOLT | 27-0116 | 2 | 71 | DECAL - WARNING (SEE 71-1039) | N/A | 1 |
| 25 | QUICK CONNECT SOCKET | 17-0029 | 1 | 72 | EDGING *(TWO FEET REQUIRED) | 33-0020 | 1 |
| 26 | O-RING | 25-0123 | 2 | 73 | BELTGUARD BACK | N/A | 1 |
| 27 | TAG - WATER SUPPLY INLET (E) | N/A | 1 | 74 | DECAL - WARNING (SEE 71-1039) | N/A | 1 |
| 28 | FILTER | 19-0206 | 1 | 75 | KEY | 43-0048 | 1 |
| 29 | TEE | 23-0043 | 1 | 76 | KEY | 43-0078 | 1 |
| 30 | NIPPLE | 23-0012 | 1 | 77 | DECAL - RISK OF FIRE (SEE 71-1039) | N/A | 1 |
| 31 | ELBOW | 24-0105 | 2 | 78 | VANGUARD ENGINE ASSY | 851-0099 | 1 |
| 32 | NIPPLE | 24-0010 | 1 | 79 | DECAL - RISK OF BURNS (SEE 71-1039) | N/A | 1 |
| 33 | UNLOADER | 8-0634 | 1 | 80 | PUMP | 3-0075 | 1 |
| 34 | ELBOW | 24-0092 | 1 | 81 | LOCKNUT | 30-0161 | 4 |
| 35 | HOSE BARB | 23-0105 | 1 | 82 | WASHER | 28-0030 | 8 |
| 36 | HOSE CLAMP | 42-0011 | 2 | 83 | BOLT | 27-0166 | 4 |
| 37 | HOSE | 15-0022 | 1 | 84 | BOLT | 27-0071 | 4 |
| 38 | EASY START VALVE | 22-0242 | 1 | 85 | DECAL | N/A | 1 |
| 39 | HOSE | 15-0140 | 1 | 86 | LOCKWASHER | 29-0055 | 4 |
| 40 | RELIEF VALVE | 22-0005 | 1 | 87 | BOLT | 27-8471 | 4 |
| 41 | BELT | 11-0089 | 2 | 88 | PUMP BRACKET | 5-0101A01 | 1 |
| 42 | SHEAVE | 10-0040 | 1 | 89 | BOLT | 27-0118 | 2 |
| 43 | BUSHING | 9-0017 | 1 | 90 | WASHER | 28-0023 | 3 |
| 44 | BOLT | 27-0015 | 4 | 91 | LOCKNUT | 30-0159 | 2 |
| 45 | ASSY HOSE W/QC 4500 PSI (INC 46-48) | 851-0006 | 1 | 92 | BRACKET | 13-0003A01 | 1 |
| 46 | QC SOCKET | 17-0004 | 1 | 93 | BOLT | 27-0576 | 1 |
| 47 | HOSE | 15-0004 | 1 | 94 | REDUCER | 23-0017 | 1 |
| 48 | QUICK CONNECT | 17-0006 | 1 | 95 | ELBOW | 23-0237 | 1 |
| 49 | DECAL - MADE IN USA | 34-3553 | 1 | 96 | BARB | 23-0045 | 1 |
| 50 | NOZZLE | 18-0397 | 1 | - | DECAL SET | 71-1039 | 1 |

*MUST ORDER IN ONE FOOT LENGTHS

FRAME ASSEMBLY FOR 4004 (HONDA)

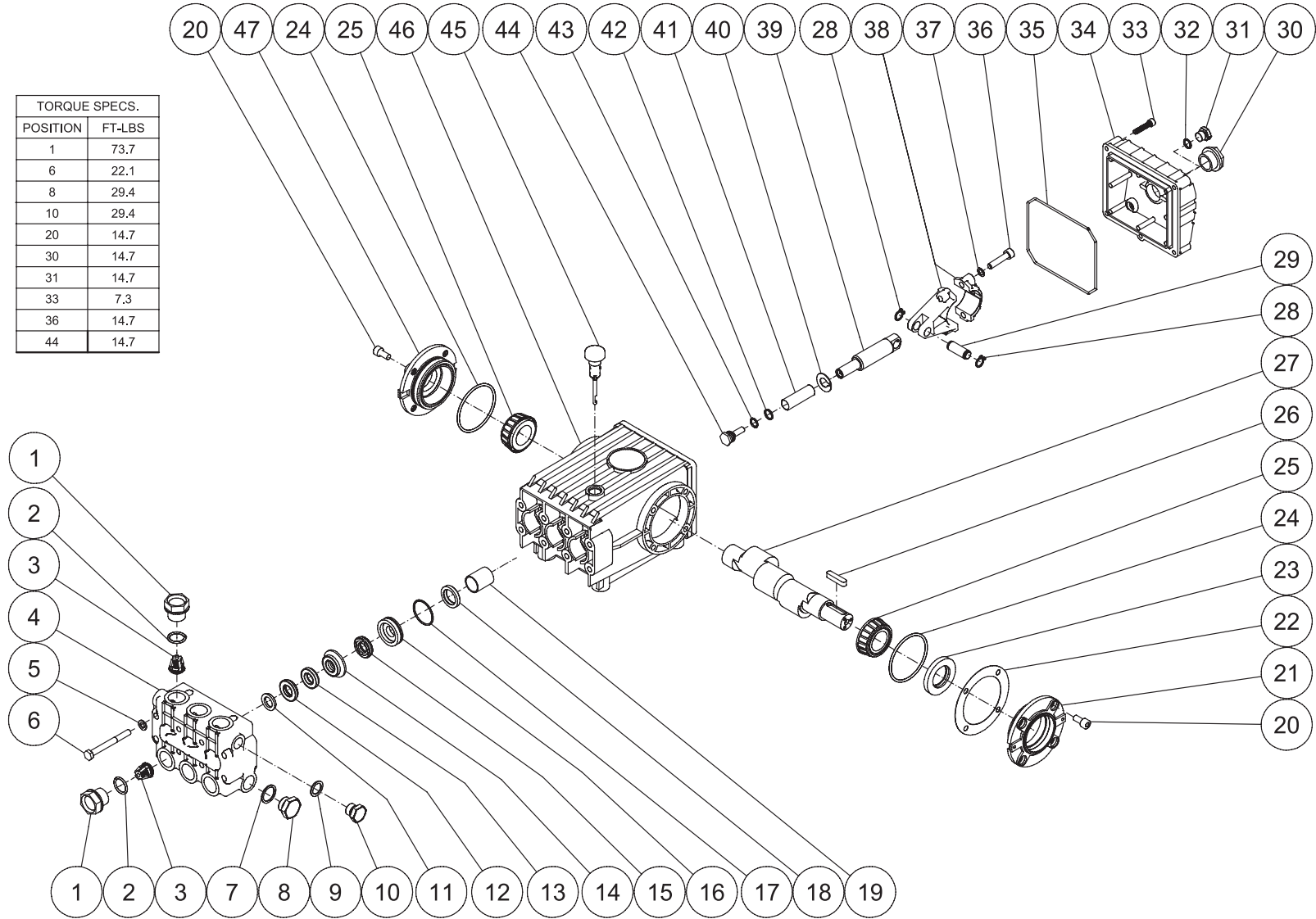


DC-4004-W5H6G 063017 JJR

| FRAME ASSEMBLY | | | | | | | |
|----------------|------------------------------|------------|-----|---------------------------------|---|------------|-----|
| ITEM | DESCRIPTION | PART # | QTY | ITEM | DESCRIPTION | PART # | QTY |
| 1 | HANDLE | 7-0175A01 | 1 | 46 | BELTGUARD COVER ASSY-MEDIUM | 851-0218 | 1 |
| 2 | LOCKNUT | 30-0157 | 18 | 47 | DECAL - STRIPE | N/A | 1 |
| 3 | WASHER | 28-0003 | 20 | 48 | DECAL - LOGO | N/A | 1 |
| 4 | BOLT | 27-0067 | 8 | 49 | GROMMET | 33-0001 | 5 |
| 5 | WHEEL | 14-0127 | 2 | 50 | DECAL - NOZZLE | 34-0500 | 1 |
| 6 | LOCKNUT | 30-0117 | 2 | 51 | FASTENER | 33-0197 | 1 |
| 7 | BASEPLATE | 5-0078A01 | 1 | 52 | DECAL - OPERATION (SEE 71-1039) | N/A | 1 |
| 8 | DECAL- SILVER STICKER | N/A | 1 | 53 | BELTGUARD COVER | N/A | 1 |
| 9 | BOLT | 27-0068 | 6 | 54 | EDGING *(FOUR FEET REQUIRED) | 33-0020 | 1 |
| 10 | UNDERBRACKET | 13-0137A01 | 1 | 55 | GRIP | 7-0002 | 1 |
| 11 | ISOLATOR | 14-0008 | 2 | 56 | DECAL - RISK OF INJECTION (SEE 71-1039) | N/A | 1 |
| 12 | HANDLE | 7-0174A01 | 1 | 57 | QUICK CONNECT | 17-0001 | 1 |
| 13 | UNLOADER | 8-0634 | 1 | 58 | O-RING | 25-0122 | 1 |
| 14 | REDUCER | 23-0017 | 1 | 59 | GUN, BLACK WAND GRIP W/ QC | 851-0371 | 1 |
| 15 | ELBOW | 23-0237 | 1 | 60 | WAND (INC GRIP & QC) | 16-0439 | 1 |
| 16 | NIPPLE | 24-0010 | 1 | 61 | GUN | 16-0001 | 1 |
| 17 | REDUCER | 24-0282 | 1 | 62 | QUICK CONNECT | 17-0005 | 1 |
| 18 | MANIFOLD BLOCK | 51-0012 | 1 | 63 | BUSHING | 9-0005 | 1 |
| 19 | LOCKWASHER | 29-0008 | 2 | 64 | SHEAVE | 10-0067 | 1 |
| 20 | BOLT | 27-0116 | 2 | 65 | BELTGUARD BACK ASSEMBLY-MEDIUM | 851-0215 | 1 |
| 21 | O-RING | 25-0123 | 2 | 66 | DECAL - WARNING (SEE 71-1039) | N/A | 1 |
| 22 | QUICK CONNECT SOCKET | 17-0029 | 1 | 67 | EDGING *(TWO FEET REQUIRED) | 33-0020 | 1 |
| 23 | HOSE | 15-0140 | 1 | 68 | BELTGUARD BACK | N/A | 1 |
| 24 | EASY START VALVE | 22-0242 | 1 | 69 | DECAL - WARNING (SEE 71-1039) | N/A | 1 |
| 25 | HIGH PRESSURE HOSE | 15-0194 | 1 | 70 | KEY | 43-0048 | 1 |
| 26 | ELBOW | 24-0105 | 2 | 71 | KEY | 43-0078 | 1 |
| 27 | RELIEF VALVE | 22-0005 | 1 | 72 | ENGINE - HONDA | 1-0086 | 1 |
| 28 | HOSE BARB | 23-0105 | 1 | 73 | DECAL - RISK OF FIRE (SEE 71-1039) | N/A | 1 |
| 29 | TEE | 23-0124 | 1 | 74 | DECAL - RISK OF BURNS (SEE 71-1039) | N/A | 1 |
| 30 | BARB | 23-0045 | 1 | 75 | PUMP | 3-0075 | 1 |
| 31 | HOSE CLAMP | 42-0011 | 2 | 76 | LOCKNUT | 30-0161 | 4 |
| 32 | TAG - WATER SUPPLY INLET (E) | N/A | 1 | 77 | WASHER | 28-0030 | 8 |
| 33 | FILTER | 19-0206 | 1 | 78 | SHIM | 33-0169 | 4 |
| 34 | TEE | 23-0043 | 1 | 79 | BOLT | 27-0166 | 4 |
| 35 | NIPPLE | 23-0012 | 1 | 80 | BOLT | 27-0070 | 4 |
| 36 | BELT | 11-0005 | 2 | 81 | LOCKWASHER | 29-0055 | 4 |
| 37 | SHEAVE | 10-0007 | 1 | 82 | BOLT | 27-8471 | 4 |
| 38 | BUSHING | 9-0017 | 1 | 83 | DECAL | N/A | 1 |
| 39 | BOLT | 27-0015 | 4 | 84 | PUMP BRACKET | 5-0101A01 | 1 |
| 40 | ASSY HOSE W/QC 4000 PSI | 851-0006 | 1 | 85 | BOLT | 27-0118 | 2 |
| 41 | QC SOCKET | 17-0004 | 1 | 86 | WASHER | 28-0023 | 3 |
| 42 | HOSE | 15-0004 | 1 | 87 | LOCKNUT | 30-0159 | 2 |
| 43 | QUICK CONNECT | 17-0006 | 1 | 88 | BRACKET | 13-0003A01 | 1 |
| 44 | DECAL - MADE IN USA | 34-3553 | 1 | 89 | BOLT | 27-0576 | 1 |
| 45 | NOZZLE | 18-0392 | 1 | 90 | HOSE | 15-0022 | 1 |
| - | NOZZLE | 18-0393 | 1 | - | DECAL SET | 71-1039 | 1 |
| - | NOZZLE | 18-0395 | 1 | *MUST ORDER IN ONE FOOT LENGTHS | | | |
| - | NOZZLE | 18-0396 | 1 | | | | |

PUMP ASSEMBLY (3-0075)

| TORQUE SPECS. | |
|---------------|--------|
| POSITION | FT-LBS |
| 1 | 73.7 |
| 6 | 22.1 |
| 8 | 29.4 |
| 10 | 29.4 |
| 20 | 14.7 |
| 30 | 14.7 |
| 31 | 14.7 |
| 33 | 7.3 |
| 36 | 14.7 |
| 44 | 14.7 |



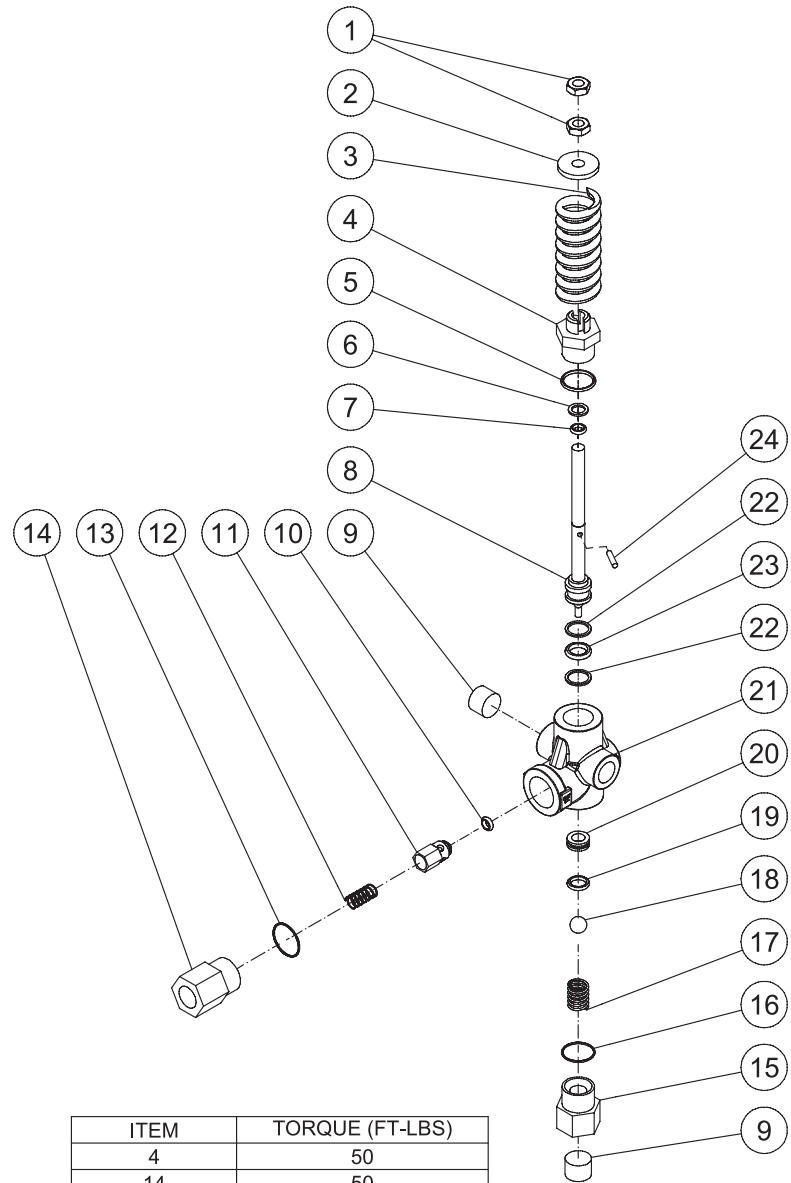
3-0075-032510-AJH

PUMP ASSEMBLY

| ITEM | DESCRIPTION | PART # | QTY | ITEM | DESCRIPTION | PART # | QTY |
|------|---|---------|-----|------|----------------------|---------|-----|
| 1 | CAP VALVE | 46-0282 | 6 | 25 | BEARING | 48-0012 | 2 |
| 2 | O-RING | 25-0012 | 6 | 26 | KEY | 43-0048 | 1 |
| 3 | VALVE (SEE KIT 70-0009) | - | 6 | 27 | CRANKSHAFT | 46-0050 | 1 |
| 4 | MANIFOLD | 46-0291 | 1 | 28 | RETAINING RING | 46-0103 | 6 |
| 5 | WASHER | 28-1039 | 8 | 29 | CONNECTING ROD PIN | 43-0032 | 3 |
| 6 | BOLT | 27-8185 | 8 | 30 | OIL LEVEL INDICATOR | 46-0114 | 1 |
| 7 | WASHER | 28-1038 | 2 | 31 | PLUG | 39-0017 | 1 |
| 8 | PLUG | 39-0019 | 2 | 32 | O-RING | 25-0014 | 1 |
| 9 | WASHER | 28-1002 | 2 | 33 | BOLT | 27-8404 | 5 |
| 10 | PLUG | 39-0018 | 2 | 34 | CRANKCASE OPEN COVER | 46-0295 | 1 |
| 11 | HEAD RING (SEE KIT 70-0031 AND 852-0064) | 70-0031 | 3 | 35 | O-RING | 25-0339 | 1 |
| 12 | PACKING (SEE KIT 70-0042 AND 852-0064) | 46-0338 | 3 | 36 | BOLT | 27-8435 | 6 |
| 13 | LONG LIFE RING (SEE KIT 70-0042 AND 852-0064) | 46-0290 | 3 | 37 | LOCKWASHER | 29-0154 | 6 |
| 14 | INTERMEDIATE RING (SEE KIT 70-0210) | 46-0289 | 3 | 38 | CONNECTING ROD | 46-0051 | 3 |
| 15 | V-PACKING (SEE KIT 70-0042 AND 852-0064) | 46-0287 | 3 | 39 | PISTON GUIDE | 46-0294 | 3 |
| 16 | PACKING RETAINER | 46-0286 | 3 | 40 | SLINGER WASHER | 46-0283 | 3 |
| 17 | O-RING (SEE KIT 852-0064) | 25-0015 | 3 | 41 | CERAMIC PLUNGER | 46-0337 | 3 |
| 18 | OIL SEAL | 26-0047 | 3 | 42 | RING | 25-0137 | 3 |
| 19 | BUSHING | 9-0029 | 3 | 43 | O-RING | 25-0138 | 2 |
| 20 | BOLT | 27-8431 | 8 | 44 | PISTON SCREW | 46-0285 | 3 |
| 21 | CRANKCASE COVER | 46-0296 | 1 | 45 | OIL DIP STICK | 46-0144 | 1 |
| 22 | SHIM | 46-0113 | 1 | 46 | CRANKCASE | 46-0047 | 1 |
| 23 | OIL SEAL | 26-0049 | 1 | 47 | CRANKCASE COVER | 46-0336 | 1 |
| 24 | O-RING | 25-0013 | 2 | | | | |

| Mi-T-M KIT # | DESCRIPTION | ITEMS | # OF ASSEMBLIES | # OF CYLINDERS |
|--------------|-----------------------------|--------------------|-----------------|----------------|
| 70-0009 | KITS -VALVES | 3 | 6 | 3 |
| 70-0031 | KITS -HEAD RING | 11 | 3 | 3 |
| 70-0042 | KITS - V-PACKING | 12, 13, 15 | 3 | 3 |
| 70-0210 | KITS -INTERMEDIATE RETAINER | 14 | 3 | 3 |
| 852-0064 | V-PACKING ASSY | 11, 12, 13, 15, 17 | 3 | 3 |

UNLOADER ASSEMBLY (8-0634)



| ITEM | TORQUE (FT-LBS) |
|------|-----------------|
| 4 | 50 |
| 14 | 50 |
| 15 | 50 |

| 8-0634 052213 JDK | | | |
|-------------------|---------------------------------|---------|-----|
| UNLOADER ASSEMBLY | | | |
| ITEM | DESCRIPTION | PART # | QTY |
| 1 | NUT | 8-0293 | 2 |
| 2 | SPRING SPACER | 46-1527 | 1 |
| 3 | SPRING | 49-0171 | 1 |
| 4 | FITTING | 46-1529 | 1 |
| 5 | O-RING (SEE KIT 70-0625) | SEE KIT | 1 |
| 6 | O-RING (SEE KIT 70-0625) | SEE KIT | 1 |
| 7 | O-RING (SEE KIT 70-0625) | SEE KIT | 1 |
| 8 | STEM | 46-1530 | 1 |
| 9 | PLUG | 23-0244 | 2 |
| 10 | O-RING (SEE KIT 70-0624) | SEE KIT | 1 |
| 11 | POPPET (SEE KIT 70-0624) | SEE KIT | 1 |
| 12 | SPRING (SEE KIT 70-0624) | SEE KIT | 1 |
| 13 | O-RING | 25-0672 | 1 |
| 14 | OUTLET FITTING | 46-1531 | 1 |
| 15 | INLET FITTING (SEE KIT 70-0625) | SEE KIT | 1 |
| 16 | O-RING (SEE KIT 70-0625) | SEE KIT | 1 |
| 17 | SPRING | 49-0172 | 1 |
| 18 | BALL (SEE KIT 70-0625) | SEE KIT | 1 |
| 19 | O-RING (SEE KIT 70-0625) | SEE KIT | 1 |
| 20 | SEAT | 46-1532 | 1 |
| 21 | FORGING | 46-1533 | 1 |
| 22 | BACKUP RING (SEE KIT 70-0625) | SEE KIT | 2 |
| 23 | O-RING (SEE KIT 70-0625) | SEE KIT | 1 |
| 24 | PIN (SEE KIT 70-0625) | SEE KIT | 1 |

| REPLACEMENT KITS | | | |
|------------------|------------------------|--------------------------|------------------------------|
| KIT # | DESCRIPTION | ITEMS | QTY |
| 70-0624 | KIT - CHECK VALVE | 10-12 | 1, 1, 1 |
| 70-0625 | KIT - UNLOADER REBUILD | 5-7, 15-16, 18-19, 22-24 | 1, 1, 1, 1, 1, 1, 1, 2, 1, 1 |

