



PARTS LIST FOR
FRO-1000-0ME1
REVERSE OSMOSIS SYSTEM

Congratulations on the purchase of your new Mi-T-M Reverse Osmosis System! This parts listing has been compiled for your benefit. You can be assured your Mi-T-M Reverse Osmosis System was constructed and designed with quality and performance in mind. Each component has been rigorously tested to ensure the highest level of acceptance.

The contents of this parts listing are based on the latest product information available at the time of publication. Mi-T-M reserves the right to make changes in price, color, materials, equipment, specifications or models at any time without notice.

WARNING

THIS IS A PROFESSIONAL CLEANING SYSTEM. CAUTION SHOULD BE OBSERVED WHEN USING OR REPAIRING THIS UNIT! READ AND FOLLOW THE SAFETY WARNINGS LISTED BELOW BEFORE ATTEMPTING ANY REPAIRS ON THIS REVERSE OSMOSIS SYSTEM!

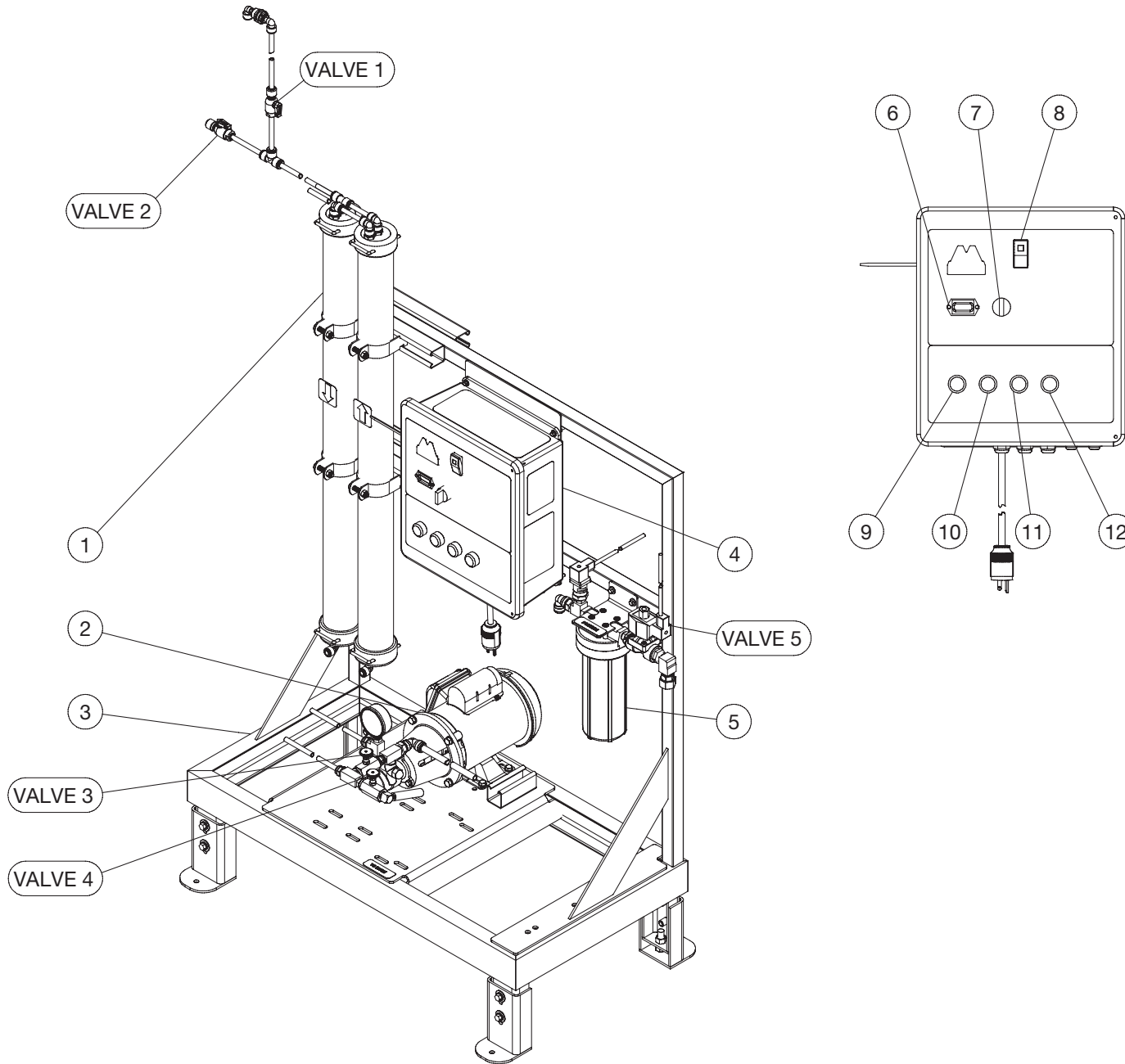
SAFETY WARNINGS

1. Serious injury or death could occur if the Reverse Osmosis System (Power Supply) is not properly grounded. Your Reverse Osmosis System is powered by electricity and may cause electric shock or electrocution if not installed properly. Installation to this unit, including all electrical connections, must comply with all local, state and national codes. Any electrical wiring or repairs performed on this Reverse Osmosis System should be done by Authorized Service Personnel in accordance with National and Local electrical codes.
2. NEVER alter or modify the equipment. Use only genuine Mi-T-M parts for repair of your Reverse Osmosis System. Failure to do so can cause hazardous operating conditions and will VOID warranty.
3. Know how to stop and bleed pressures quickly. Be thoroughly familiar with controls. Do not operate without protective gear. Follow the maintenance instructions specified in your operator's manual.
4. Before servicing, ALWAYS shut off the water and the unit. NEVER assume the Reverse Osmosis System is safe to work on just because it is not operating. It could restart at any time! ALWAYS disconnect from the power source.

Table of Contents

FRO-1000 UNIT ASSEMBLY.....	4
FRAME ASSEMBLY	6
INLET ASSEMBLY.....	8
PUMP ASSEMBLY	10
855-0060	12
850-0059	14
CONTROL PANEL.....	16
LADDER DIAGRAM (120V) (1 PHASE).....	18
WIRING DIAGRAM (120V) (1 PHASE).....	19

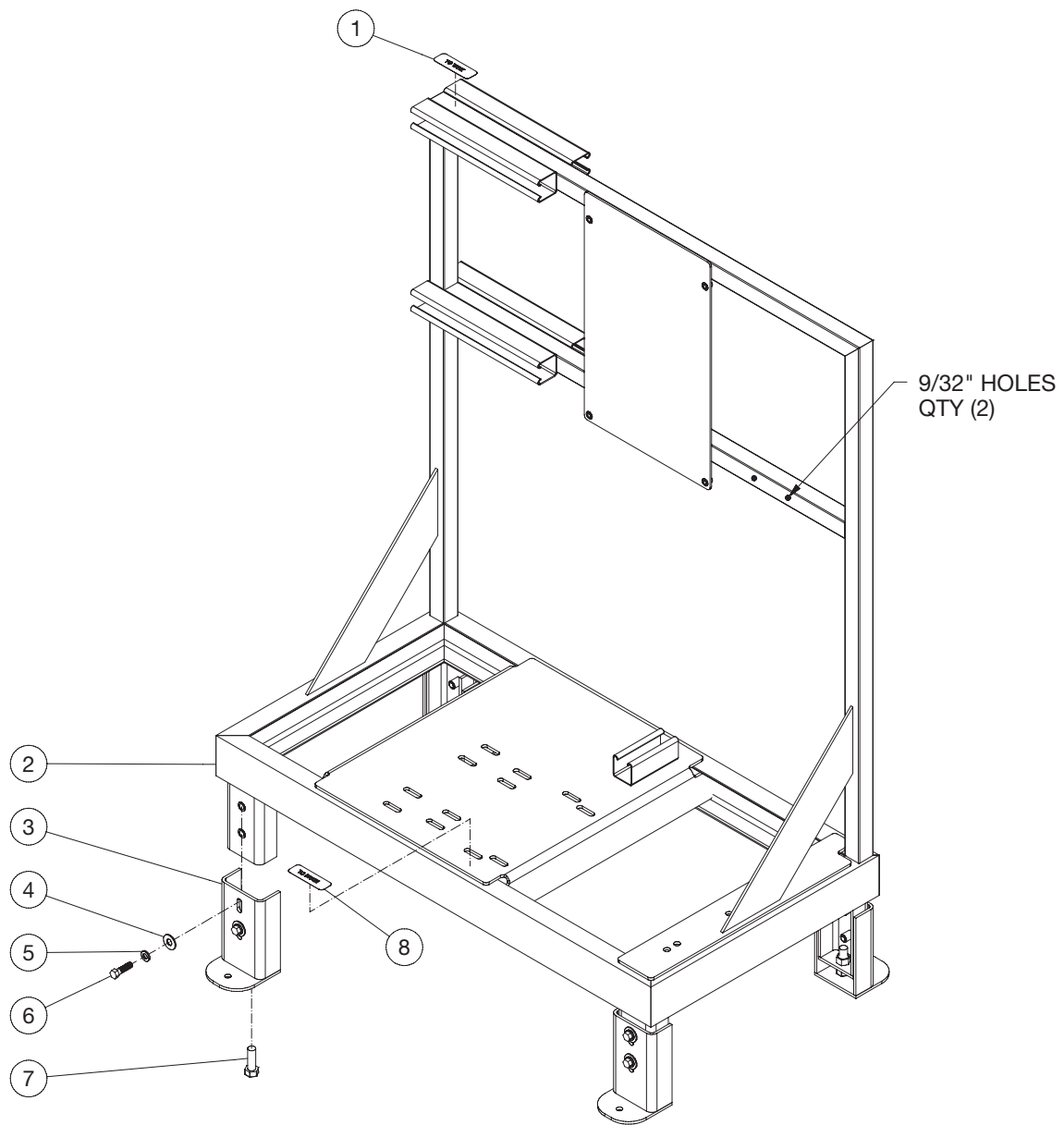
FRO-1000 UNIT ASSEMBLY



FRO-1000 UNIT ASSY 041422 ATL

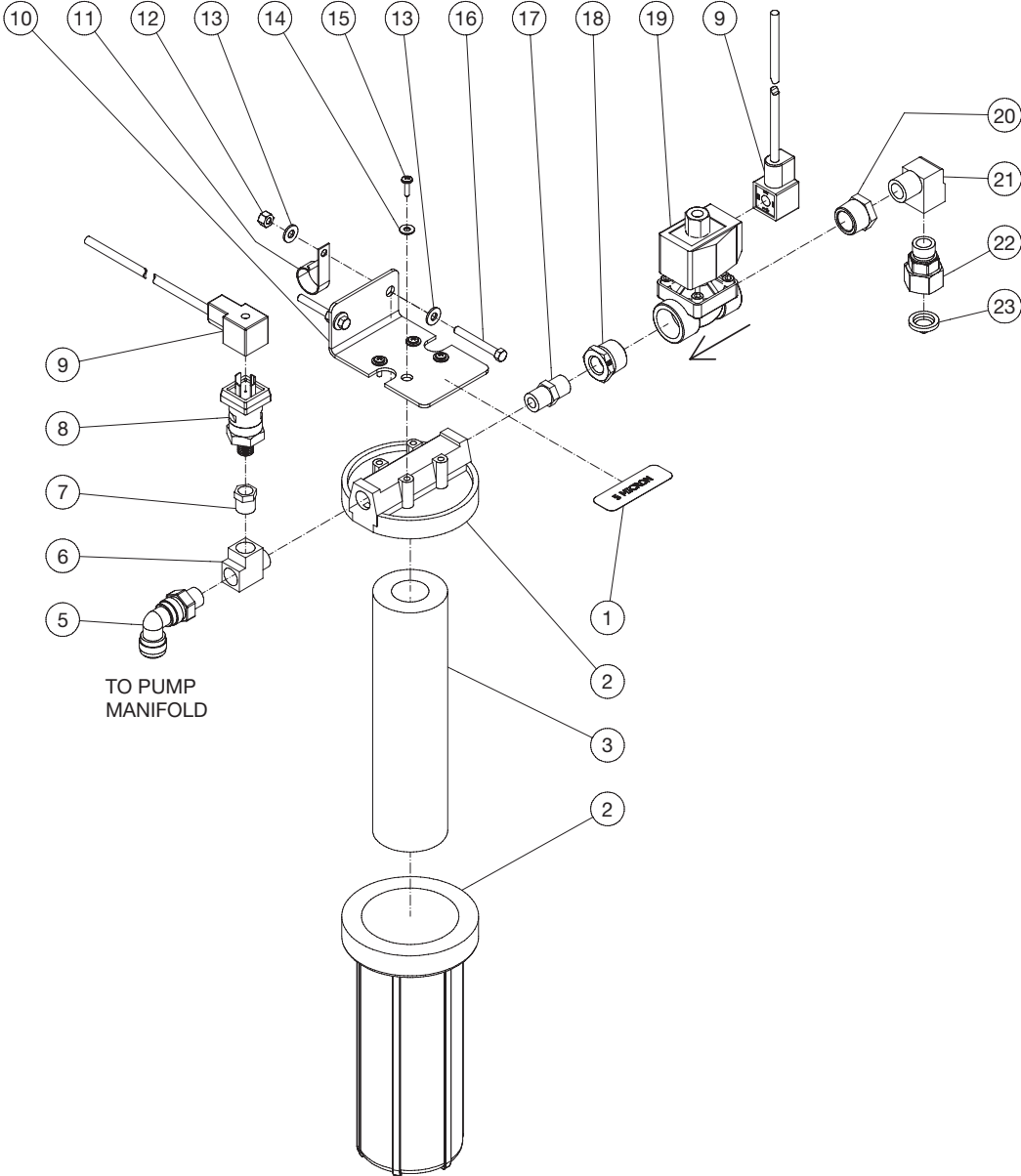
FRO-1000 UNIT ASSY 041422 ATL			
UNIT ASSEMBLY			
ITEM	DESCRIPTION	PART #	QTY
1	MEMBRANES FRO-1000	N/A SEP.	1
2	PUMP ASSY	N/A SEP.	1
3	FRAME ASSEMBLY	N/A SEP.	1
4	CONTROL PANEL ASSEMBLY	N/A SEP.	1
5	INLET ASSEMBLY FRO	N/A SEP.	1
6	HOUR METER	N/A SEP.	1
7	RUN/ CLEANING SWITCH	N/A SEP.	1
8	UNIT (ON/OFF)	N/A SEP.	1
9	LIGHT - RO PUMP ON	N/A SEP.	1
10	LIGHT - TANK FULL	N/A SEP.	1
11	LIGHT - RO CLEANING	N/A SEP.	1
12	LIGHT - CHECK FILTERS	N/A SEP.	1
VALVE 1	PERMEATE OUTLET		
VALVE 2	PERMEATE SAMPLE		
VALVE 3	CONCENTRATE RECYCLE		
VALVE 4	CONCENTRATE OUTLET		
VALVE 5	INLET SOLENOID		

FRAME ASSEMBLY



FRAME ASSY FRO 041322ATL			
FRAME ASSEMBLY			
ITEM	TITLE	PART #	QTY
1	DECAL - TO TANK (SEE 71-0160)	N/A	1
2	FRAME	5-0141A18	1
3	FOOT	20-0502A18	4
4	WASHER	28-0023	8
5	LOCKWASHER	29-0008	8
6	BOLT	27-0118	8
7	BOLT	27-0218	4
8	DECAL - TO DRAIN (SEE 71-0160)	N/A	1

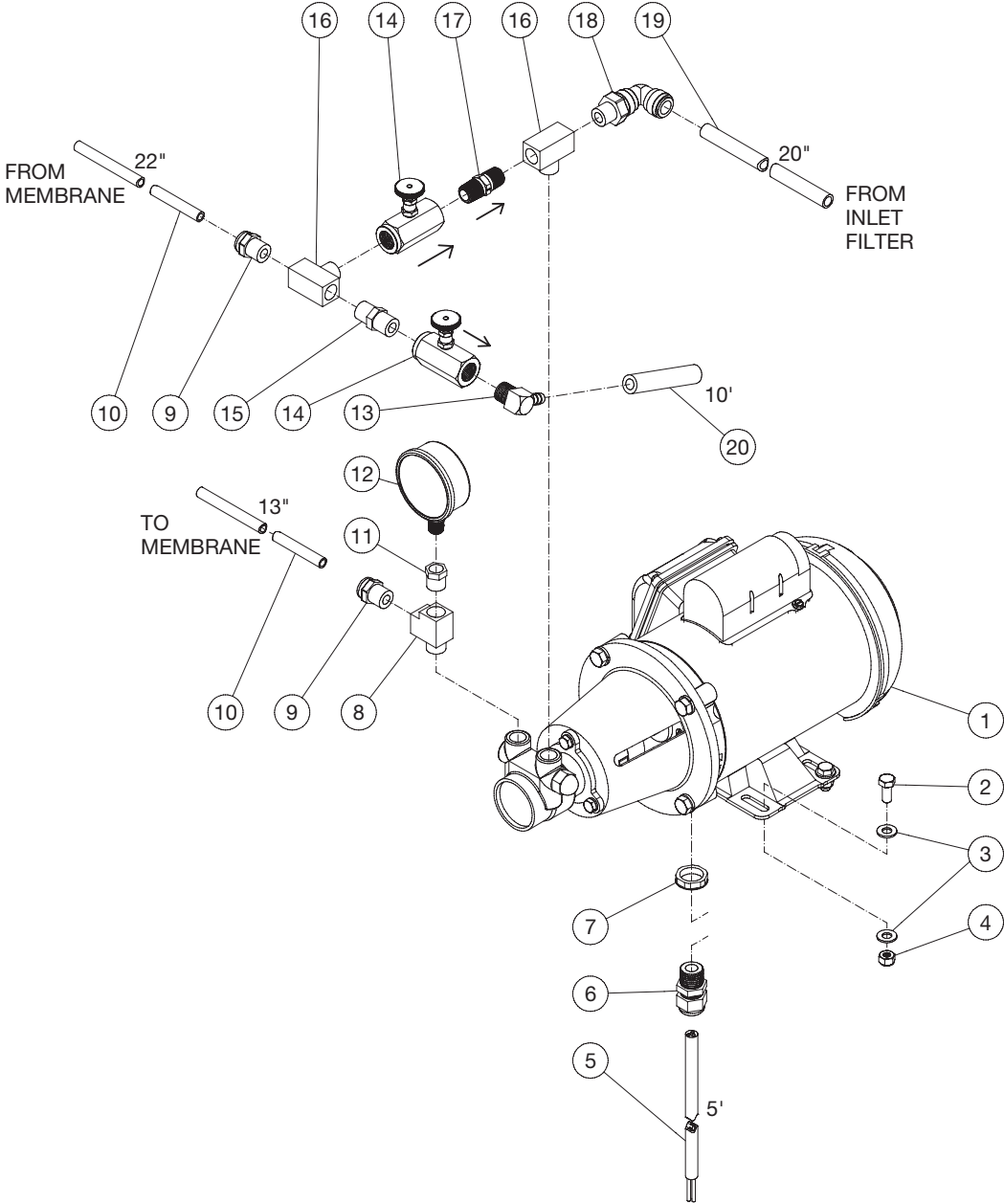
INLET ASSEMBLY



INLET ASSEMBLY FRO 041322

INLET ASSEMBLY FRO 041322			
INLET ASSEMBLY			
ITEM	TITLE	PART #	QTY
1	DECAL - MICRON (SEE 71-0160)	N/A	1
2	FILTER	19-0633	1
3	FILTER	19-0305	1
5	ELBOW QUICK CONNECT	55-0139	1
6	TEE	23-0382	1
7	REDUCER	23-0017	1
8	PRESSURE SWITCH	22-0381	1
9	CORDSET	32-0786	2
10	FILTER BRACKET	20-1627A18	1
11	CLIP	33-0080	1
12	LOCKNUT	30-5155	2
13	WASHER	28-0121	4
14	WASHER	28-0120	4
15	SCREW	27-5033	4
16	BOLT	27-5014	2
17	HEX NIPPLE	23-0027	1
18	REDUCER	23-0116	1
19	SOLENOID	22-0502	1
20	BUSHING	23-0023	1
21	ELBOW	23-0035	1
22	GARDEN HOSE ASSY.	23-0095	1
23	FILTER	19-0001	1

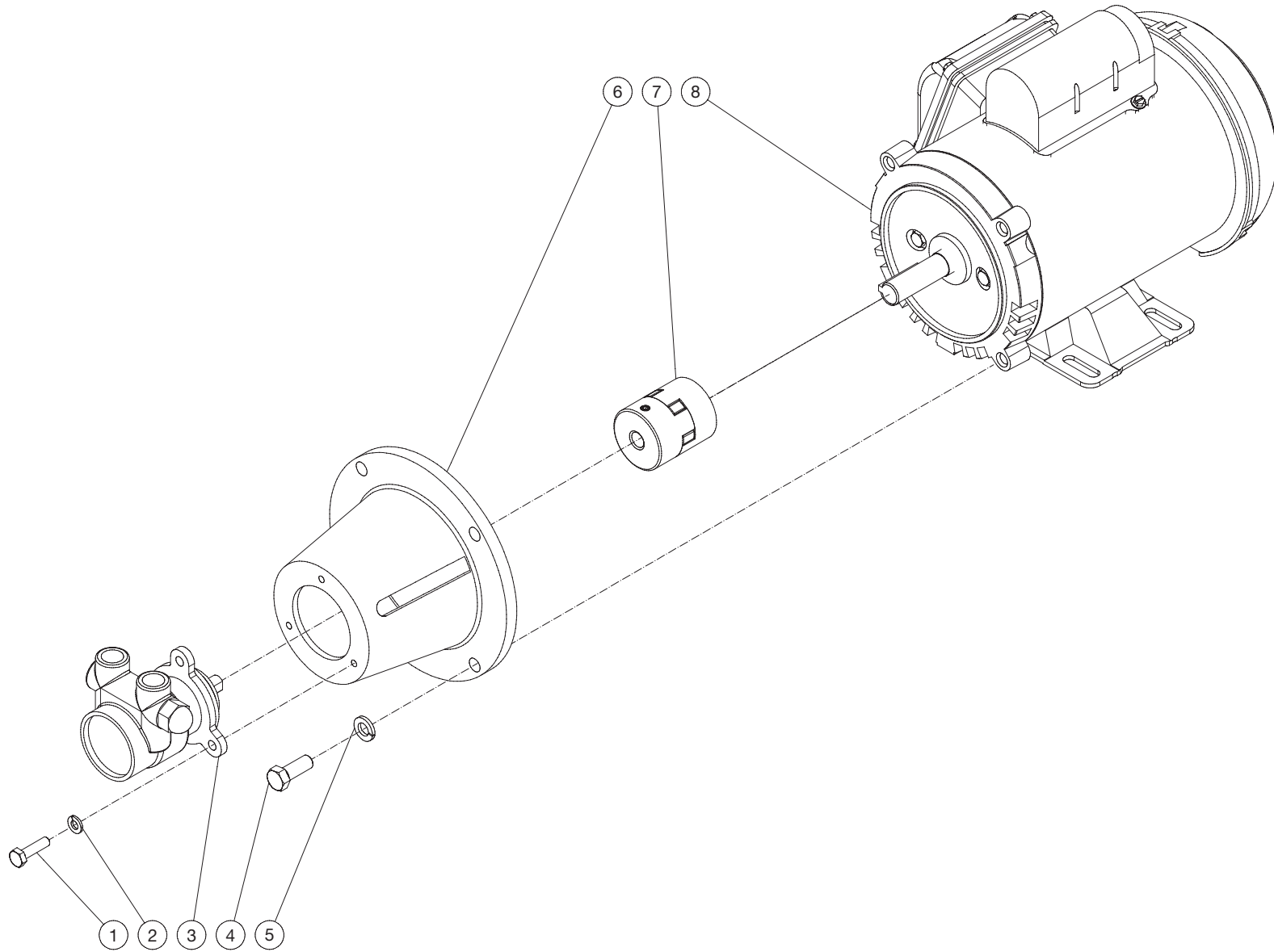
PUMP ASSEMBLY



PUMP ASSY FRO-1000 041322 ATL

PUMP ASSY FRO-1000 041322 ATL			
PUMP ASSEMBLY			
ITEM	TITLE	PART #	QTY
1	PUMP ASSEMBLY	N/A	1
2	BOLT	27-5066	4
3	WASHER	28-0122	8
4	LOCKNUT	30-5158	4
5	CORD *(FIVE FEET REQUIRED)	32-0074	1
6	STRAIN RELIEF	32-0437	1
7	ELECTRICAL LOCKNUT	32-0108	1
8	TEE	23-0382	1
9	TUBE QUICK CONNECT	55-0133	2
10	TUBING *(THREE FEET REQUIRED)	15-0394	2
11	REDUCER	23-0017	1
12	PRESSURE GAUGE	22-0537	1
13	ELBOW	23-0074	1
14	VALVE	22-0527	2
15	HEX NIPPLE	23-0027	1
16	TEE	23-0117	2
17	CHECK VALVE	22-0528	1
18	ELBOW QUICK CONNECT	55-0139	1
19	TUBING *(TWO FEET REQUIRED)	15-0395	1
20	HOSE *(TEN FEET REQUIRED)	15-0020	1
*MUST ORDER IN ONE FOOT LENGTHS			

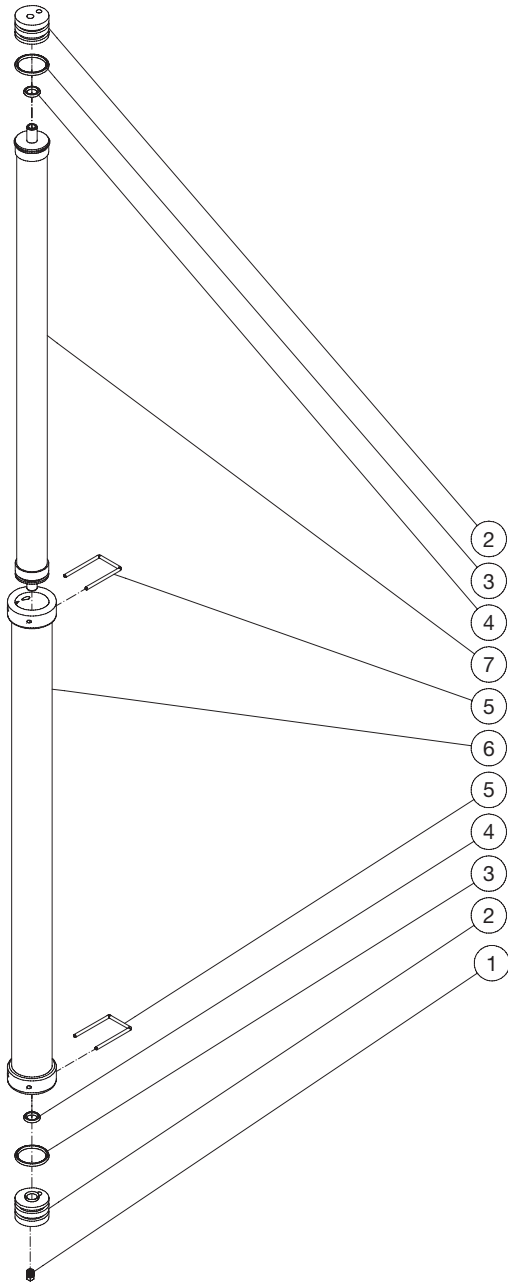
855-0060



855-006-61 - REVERSE OSMOSIS PUMP 072720 MLK

855-0060-61 - REVERSE OSMOSIS PUMP 072720 MLK			
855-0060			
ITEM	TITLE	PART #	QTY
1	BOLT	27-8962	3
2	LOCKWASHER	29-1006	3
3	PUMP	3-0453	1
4	BOLT	27-5117	4
5	LOCKWASHER	29-1010	4
6	COUPLING	54-0070	1
7	COUPLER	10-0171	1
8	MOTOR 1Ø	2-0225	1

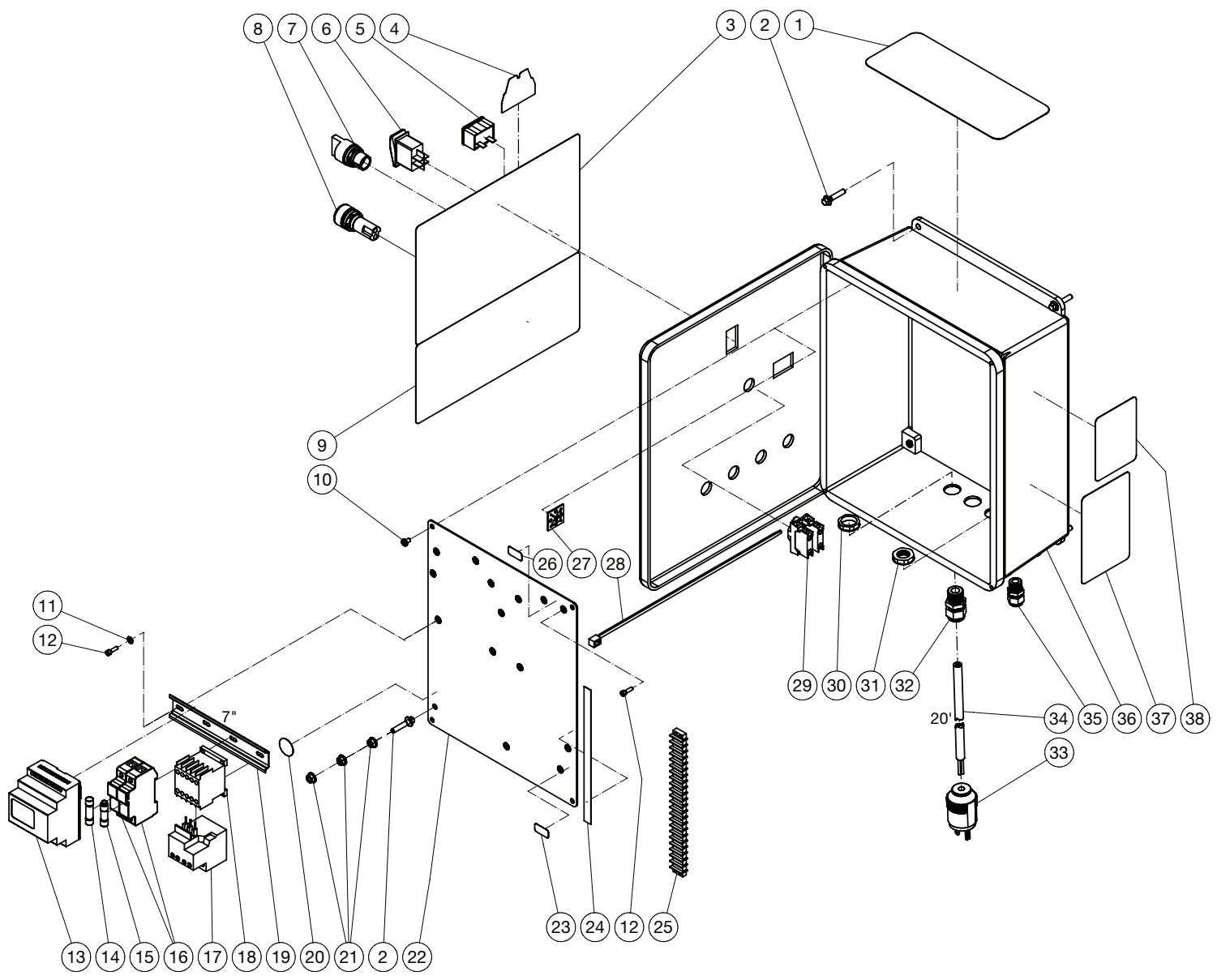
850-0059



855-0059 - MEMBRANE ASSEMBLY - 40 INCH 082820MLK

855-0059 - MEMBRANE ASSEMBLY - 40 INCH 082820MLK			
855-0059			
ITEM	DESCRIPTION	PART #	QTY
1	PLUG	24-0009	1
2	CAP	62-0262	2
3	O-RING	25-0736	2
4	O-RING	25-0737	2
5	U-PIN	43-0175	2
6	HOUSING	19-0307	1
7	MEMBRANE	19-0306	1

CONTROL PANEL



CONTROL PANEL - FRO 010126

CONTROL PANEL - FRO 1000 010126			
CONTROL PANEL			
ITEM	DESCRIPTION	PART #	QTY
1	DECAL - OPERATION (SEE 71-0160)	N/A	1
2	BOLT	27-8898	5
3	DECAL - RO BOX TOP (SEE 71-0160)	N/A	1
4	DECAL - MI-T-M	34-2167	1
5	HOUR METER	32-0668	1
6	ROCKER SWITCH	32-0669	1
7	3 - WAY SWITCH	32-1214	1
8	INDICATOR LIGHT	32-1234	4
9	DECAL - RO BOX BOTTOM (SEE 71-0160)	N/A	1
10	SCREW	27-8933	4
11	STAR WASHER	28-1009	2
12	SCREW	27-8835	4
13	PROGRAMMABLE RELAY	855-0068	1
14	FUSE	32-1253	2
15	FUSE	32-0740	1
16	FUSE HOLDER	32-0473	2
17	OVERLOAD	32-1016	1
18	CONTACTOR	32-1009	1
19	DIN RAIL *(ONE FOOT REQUIRED)	32-0316	1
20	DECAL- GROUND PICTORIAL (SEE 71-0160)	N/A	1
21	NUT	30-3022	3
22	ELECTRICAL PLATE	20-0520A06	1
23	DECAL - 1 PHASE (SEE 71-0160)	N/A	1
24	DECAL - TERMINAL STRIP (SEE 71-0160)	N/A	1
25	TERMINAL STRIP	32-0463	1
26	DECAL - 115 VOLT (SEE 71-0160)	N/A	1
27	MOUNTING BASE	32-0621	1
28	ZIP TIE	33-0021	10
29	SWITCH	32-0809	1
30	ELECTRICAL LOCKNUT	32-0108	3
31	ELECTRICAL LOCKNUT	32-0587	2
32	STRAIN RELIEF	32-0437	3
33	PLUG	32-0026	1
34	CORD *(TWENTY FEET REQUIRED)	32-0074	1
35	STRAIN RELIEF	32-0586	2
36	ELECTRICAL BOX	32-1030	1
37	DECAL - RISK OF ELECTROCUTION (SEE 71-0160)	N/A	1
38	DECAL - DATA PLATE	N/A	1
-	DECAL SET	71-0160	1
*MUST ORDER IN ONE FOOT LENGTHS			

Manufactured by Mi-T-M
50 MI-T-M Drive, Peosta IA 52068
563-556-7484/ Fax 563-556-1235